

SERVING THE FOOD INDUSTRY SINCE 1951

OUTDOOR PORTABLE FRYER PROPANE

Item: 47354 | Item: 47355
 Model: CE-CN-OF LP | Model: CE-CN-DOF LP



Item: 47354
 Model: CE-CN-OF LP



Item: 47355
 Model: CE-CN-DOF LP

Bring all the functionality of your indoor kitchen outdoors with a compact and sturdy mobile fryer

The fryer is designed to cook high volumes of product in a short period of time. With 14" wheels, it is easy to move, making it ideal for caterers, party rentals and special events.



Telephone: 1-800-465-0234

Fax: (905) 607-0234

Email: sales@omcan.com

Website: www.omcan.com



Authorized Dealer



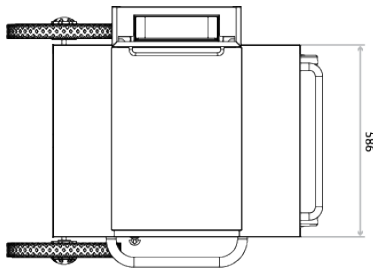
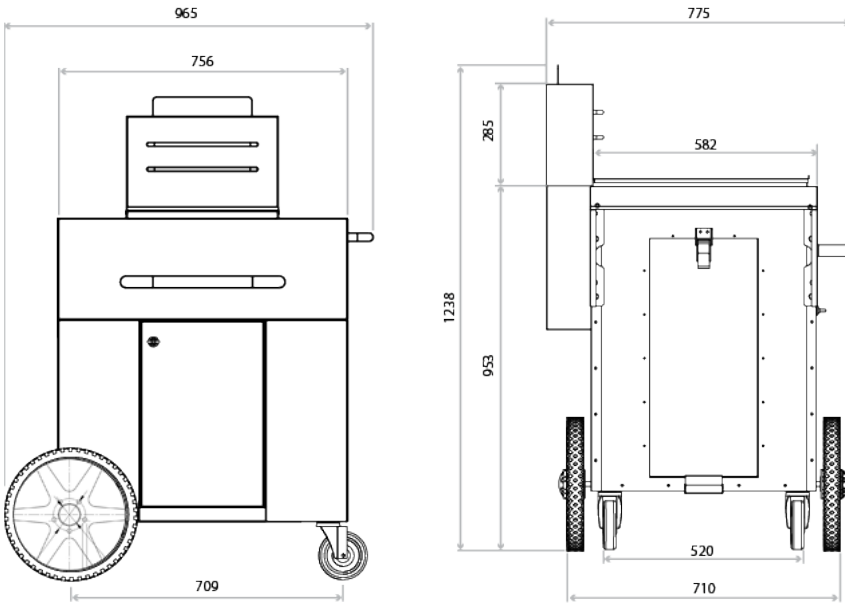
47354

OUTDOOR PORTABLE FRYER - SINGLE TANK PROPANE



TECHNICAL DRAWINGS & DIMENSIONS

*measurements in diagrams are in mm



TECHNICAL SPECIFICATIONS

OUTDOOR PORTABLE FRYER SINGLE TANK PROPANE

Item Number	47354
Model	CE-CN-OF LP
BTU	93,000
Material	Stainless steel cabinet and fry tanks
Fry Basket	2
Wheel	Two 14" wheels Two lock casters
Temperature Range	93°C - 204°C 200°F - 400°F
Oil Capacity (Per Tank)	35 - 40 lbs 15.9 - 18.1 kg
Cabinet Length	29.75" / 756 mm
Dimensions (WDH)	38" x 30.5" x 48.75" 965 x 775 x 1238 mm
Weight	190 lbs / 86.2 kg
Shipping Weight	240 lbs / 108.9 kg



Telephone: 1-800-465-0234

Fax: (905) 607-0234

Email: sales@omcan.com

Website: www.omcan.com



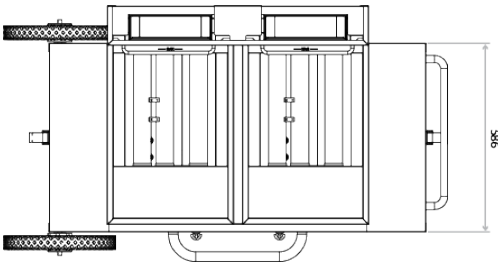
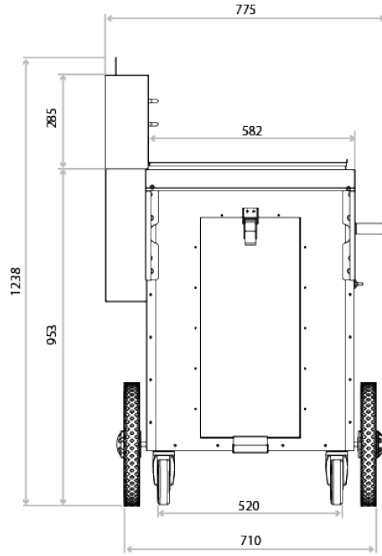
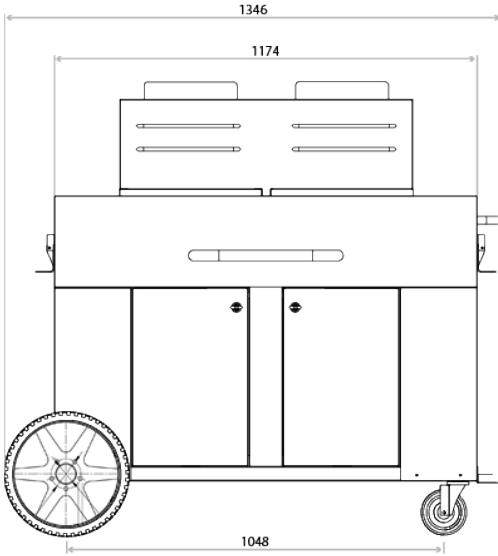
47355

OUTDOOR PORTABLE FRYER - DOUBLE TANK PROPANE



TECHNICAL DRAWINGS & DIMENSIONS

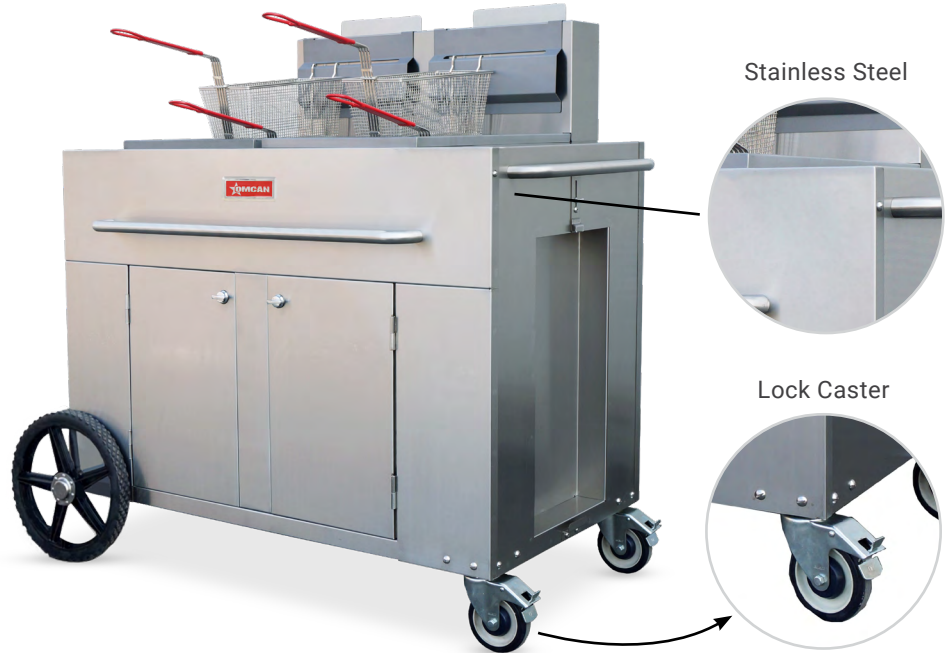
*measurements in diagrams are in mm



TECHNICAL SPECIFICATIONS

OUTDOOR PORTABLE FRYER DOUBLE TANK PROPANE

Item Number	47355
Model	CE-CN-DOF LP
BTU	93,000/tank
Material	Stainless steel cabinet and fry tanks
Fry Basket	4
Wheel	Two 14" wheels Two lock casters
Temperature Range	93°C - 204°C 200°F - 400°F
Oil Capacity (Per Tank)	35 - 40 lbs 15.9 - 18.1 kg
Cabinet Length	44.75" / 1137 mm
Dimensions (WDH)	53" x 30.5" x 48.75" 1346 x 775 x 1238 mm
Weight	301 lbs / 136.5 kg
Shipping Weight	375 lbs / 170.1 kg



Telephone: 1-800-465-0234

Fax: (905) 607-0234

Email: sales@omcan.com

Website: www.omcan.com

